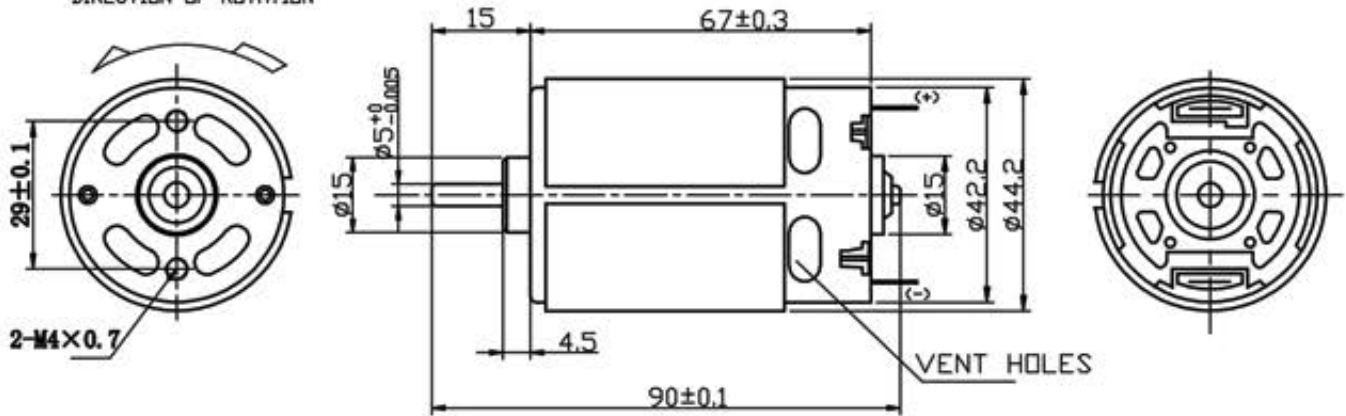


## DRC-775

主要用途:食物处理器、水泵、玩具和模型  
 Typical Applications: Food Processor  
 Water Pump,  
 Toy and Model



DIRECTION OF ROTATION



WEIGHT: 350g (APPROX)

UNIT: MM

型号 MODEL	电压 VOLTAGE		空载 NO LOAD		最大效率 AT MAXIMUM EFFICIENCY					堵转 STALL	
	使用范围 OPERATING RANGE	额定值 NOMINAL	转速 SPEED	电流 CURRENT	转速 SPEED	电流 CURRENT	扭矩 TORQUE	输出功率 OUT PUT	效率 EFF	扭矩 TORQUE	电流 CURRENT
	V	V	r/min	A	r/min	A	g.cm	W	%	g.cm	A
DRC-775PH-4040	9~18	12	5000	0.55	4200	2.95	460	19.8	56.1	2880	15.6
DRC-775PH-8514	6~20	18	19500	2.7	16000	26.1	1974	324.5	69.0	11000	130.4

