

DFF-180

Precious Metal-brush Motors

Output : Approx 0.05W-5.6W

Typical Applications : Electric Shaver
Tooth Brush

∅ 20.4

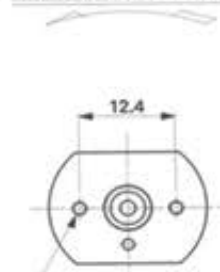


Specifications

MODEL	VOLTAGE		NO LOAD		AT MAXIMUM EFFICIENCY				STALL			
	OPERATING RANGE	NOMINAL V	SPEED r/min	CURRENT A	SPEED r/min	CURRENT A	TORQUE g.cm	TORQUE mN.m	OUTPUT W	TORQUE g.cm	TORQUE mN.m	CURRENT A
DFF-180SH-2852	3.0V MAX	2.4	8100	0.15	6850	0.82	18.6	18.2	1.30	120	11.8	4.50
DFF-180SH-4026	1.5V MAX	1.2	8300	0.30	6990	1.60	16.7	1.64	1.20	16	10.4	8.55

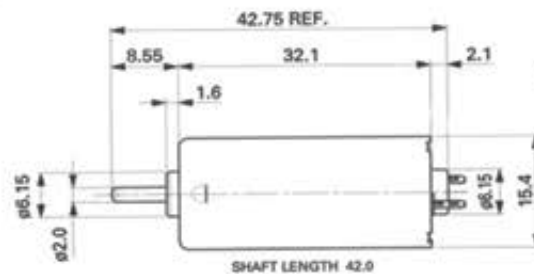
UNIT:MILLIMETERS

DIRECTION OF ROTATION

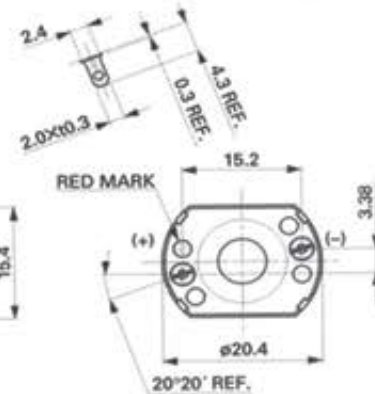


ISO M2.0x0.4 TAPPED HOLE
2 PLACES

Usable machine screw length 2.0 max.
form motor mounting surface



SHAFT LENGTH 42.0

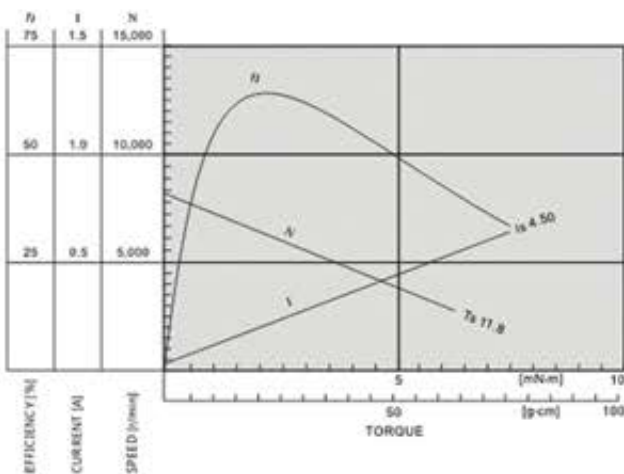


RED MARK

WEIGHT:32g (APPROX)

FF-180SH-2852

2.4V



FF-180SH-2657

1.2V

