

DFF-050

**Carbon-brush motors**

**Output :** Approx 0.2W~3.0W

**Typical Applications :** CDPlayer Car CD Player DVD Player  
CD/DVD-ROM Drive

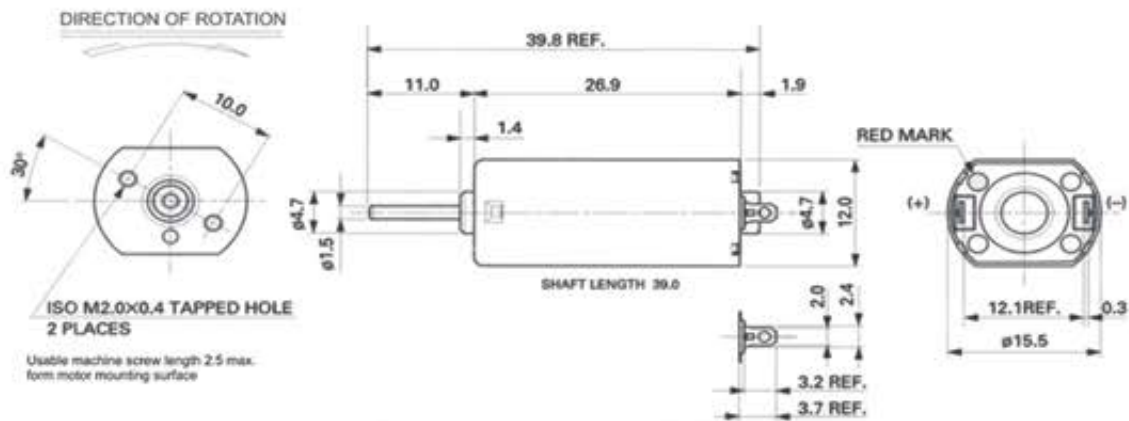


∅15.5

### Specifications

MODEL	VOLTAGE		NO LOAD		AT MAXIMUM EFFICIENCY				STALL			
	OPERATING RANGE	NOMINAL V	SPEED r/min	CURRENT A	SPEED r/min	CURRENT A	TORQUE g.cm	TORQUE mN.m	OUTPUT W	TORQUE g.cm	TORQUE mN.m	CURRENT A
DFF-050SK-11170	8.0V MAX	7.0	10400	0.046	8440	0.20	8.5	0.83	0.73	45	4.41	0.85
DFF-050SK-09250	9.0V MAX	8.0	8100	0.023	6610	0.10	6.4	0.63	0.44	35	3.43	0.45

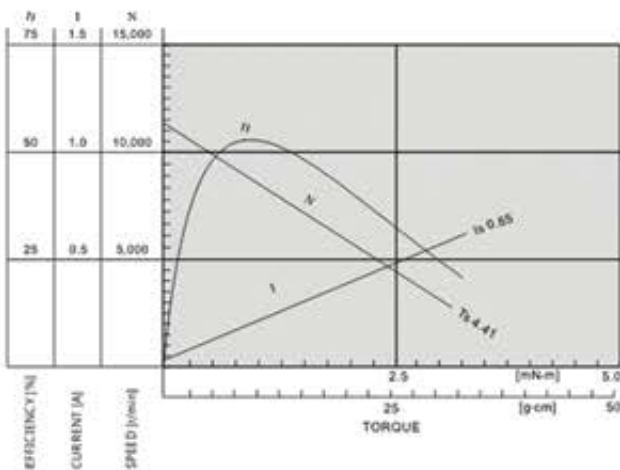
UNIT:MILLIMETERS



WEIGHT:18g (APPROX)

FF-050SK-11170

7.0V



FF-050SK-09250

8.0V

