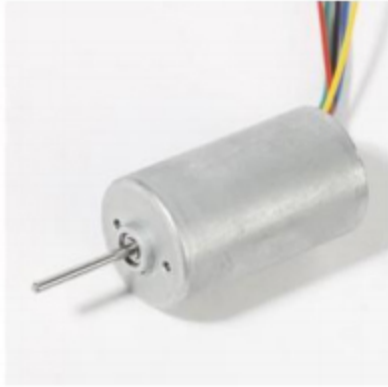


## BL2847I

OUTPUT: APPROX 5W~25W

INNER ROTOR

WEIGHT : 115g (APPROX)



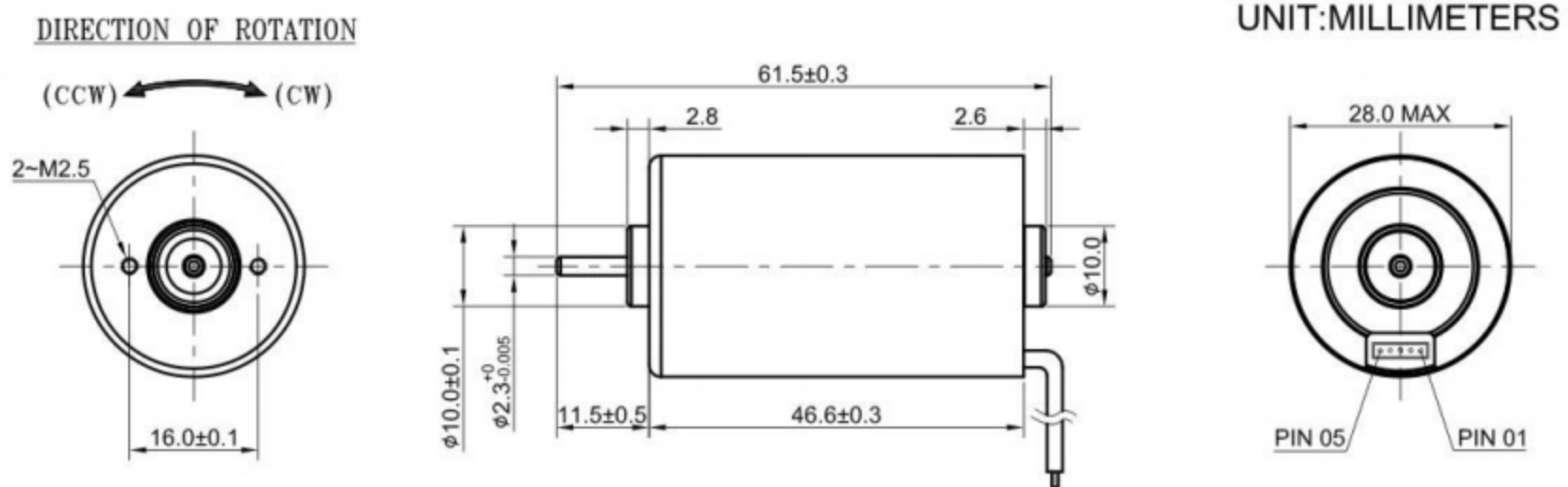
### ● Typical Application 典型应用

个人护理(Personal Care)  
家用电器(Home Application)  
电动工具(Power Tools)  
商业设备(Business Equipment)  
医疗器械(Medical Apparatus)

### ● Motor Terminations 电机端口

NO.	PIN ARRANGEMENT
1	VCC
2	FG
3	CW/CCW
4	GND
5	PWM

### ◆ External Dimensions 外形图

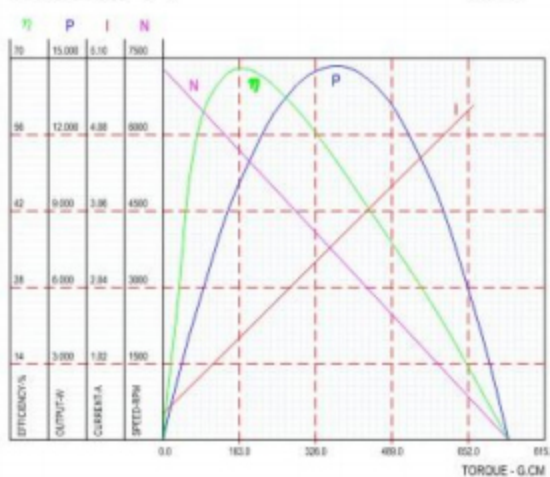


### ◆ Major Characteristic Parameters 主要特性参数

MODEL	VOLTAGE		NO LOAD		AT MAXIMUM EFFICIENCY				STALL	
	OPERATING RANGE	RATED	SPEED	CURRENT	SPEED	CURRENT	TORQUE	OUTPUT	TORQUE	CURRENT
			r/min	A	r/min	A	g.cm	W	g.cm	A
BL2847I-V1	6V~12V	12 V	7170	0.17	6095	0.903	122.2	7.64	814.8	5.059
BL2847I-V2	8V~16V	18 V	10833	0.20	9100	1.087	147.9	13.81	924.3	5.746
BL2847I-V3	8V~26V	24 V	12370	0.21	10391	1.113	173.6	18.50	1085.1	5.852

### ◆ Performance Curves 性能曲线

BL2847I-V1 12 V



BL2847I-V3 24 V

