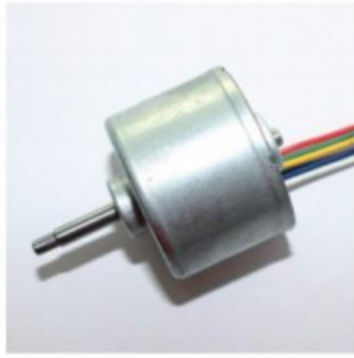


BL3626I

OUTPUT: APPROX 2W~15W

INNER ROTOR

WEIGHT : 95g (APPROX)



● Typical Application 典型应用

个人护理(Personal Care)
家用电器(Home Application)
电动工具(Power Tools)
商业设备(Business Equipment)
医疗器械(Medical Apparatus)

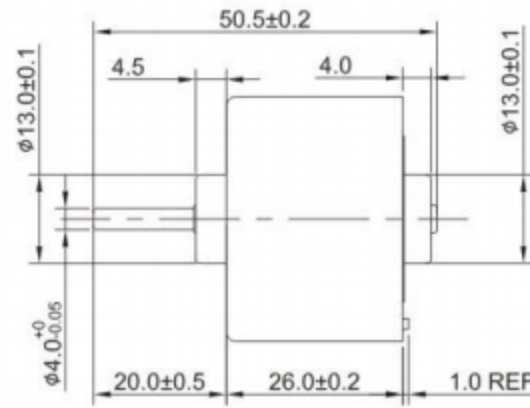
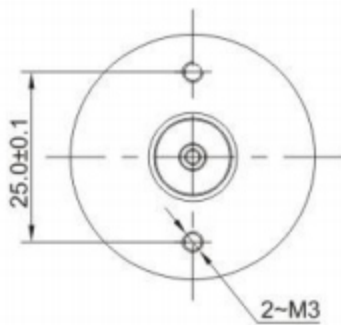
● Motor Terminations 电机端口

NO.	PIN ARRANGEMENT
1	VCC
2	FG
3	CW/CCW
4	GND
5	PWM
6	BRAKE

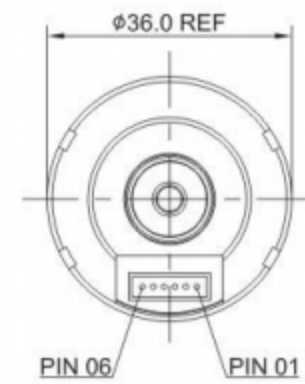
◆ External Dimensions 外形图

DIRECTION OF ROTATION

(CCW) ← (CW)



UNIT: MILLIMETERS

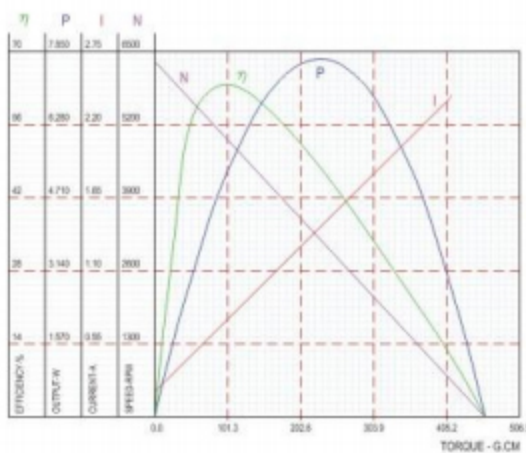


◆ Major Characteristic Parameters 主要特性参数

MODEL	VOLTAGE		NO LOAD		AT MAXIMUM EFFICIENCY				STALL	
	OPERATING RANGE	RATED	SPEED	CURRENT	SPEED	CURRENT	TORQUE	OUTPUT	TORQUE	CURRENT
			r/min	A	r/min	A	g.cm	W	g.cm	A
BL3626I-V1	8V~16V	12 V	6027	0.15	4882	0.638	96.1	4.814	506	2.721
BL3626I-V2	8V~26V	18 V	7435	0.124	6022	0.504	91.0	5.621	478.9	2.121
BL3626I-V3	8V~26V	24 V	8927	0.111	7231	0.456	91.3	6.774	480.8	1.926

◆ Performance Curves 性能曲线

BL3626I-V1 12 V



BL3626I-V3 24 V

