

BL3640I

OUTPUT: APPROX 5W~30W

INNER ROTOR

WEIGHT : 150g (APPROX)



● Typical Application 典型应用

个人护理(Personal Care)
家用电器(Home Application)
电动工具(Power Tools)
商业设备(Business Equipment)
医疗器械(Medical Apparatus)

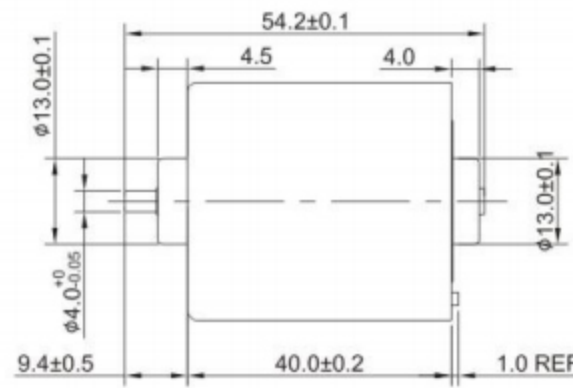
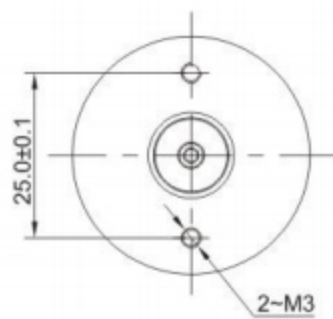
● Motor Terminations 电机端口

NO.	PIN ARRANGEMENT
1	VCC
2	FG
3	CW/CCW
4	GND
5	PWM
6	BRAKE

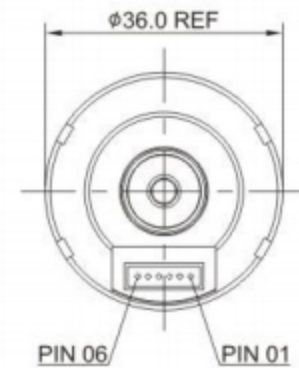
◆ External Dimensions 外形图

DIRECTION OF ROTATION

(CCW) ← → (CW)



UNIT: MILLIMETERS

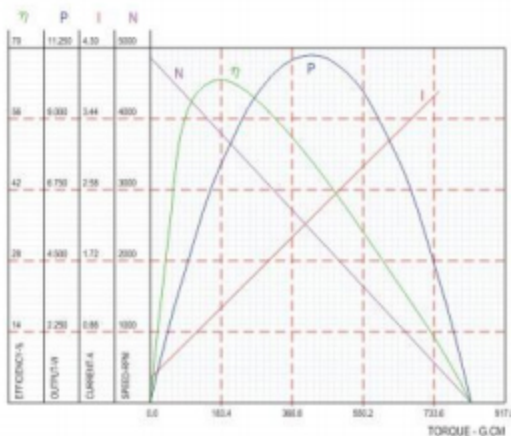


◆ Major Characteristic Parameters 主要特性参数

MODEL	VOLTAGE		NO LOAD		AT MAXIMUM EFFICIENCY				STALL	
	OPERATING RANGE	RATED	SPEED	CURRENT	SPEED	CURRENT	TORQUE	OUTPUT	TORQUE	CURRENT
			r/min	A	r/min	A	g.cm	W	g.cm	A
BL3640I-V1	8V~16V	12 V	4769	0.16	4006	0.818	146.7	6.028	917.0	4.271
BL3640I-V2	8V~26V	18 V	7068	0.19	6008	1.071	211.9	13.055	1412.4	6.066
BL3640I-V3	8V~26V	24 V	8235	0.247	6835	1.186	288.2	20.205	1695.4	5.769

◆ Performance Curves 性能曲线

BL3640I-V1 12 V



BL3640I-V3 24 V

