

BL48250

OUTPUT: APPROX 10W~50W

OUTER ROTOR

WEIGHT : 165g (APPROX)



● Typical Application 典型应用

个人护理(Personal Care)
家用电器(Home Application)
电动工具(Industry Apparatus)
筋膜枪(Massage Gun)
医疗器械(Medical Apparatus)

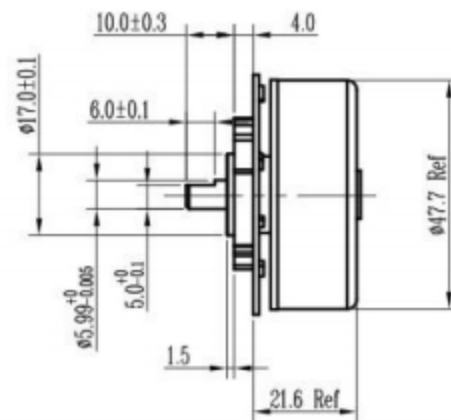
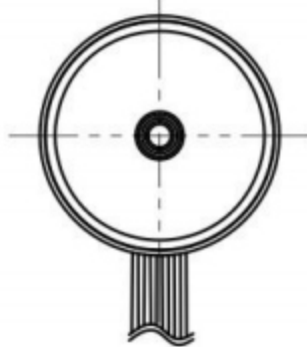
● Motor Terminations 电机端口

NO.	PIN ARRANGEMENT
1	VCC
2	FG
3	CW/CCW
4	GND
5	PWM

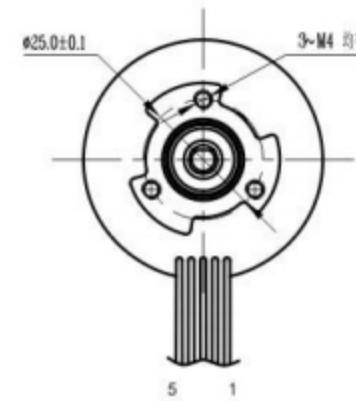
◆ External Dimensions 外形图

DIRECTION OF ROTATION

(CCW) ← (CW)



UNIT: MILLIMETERS

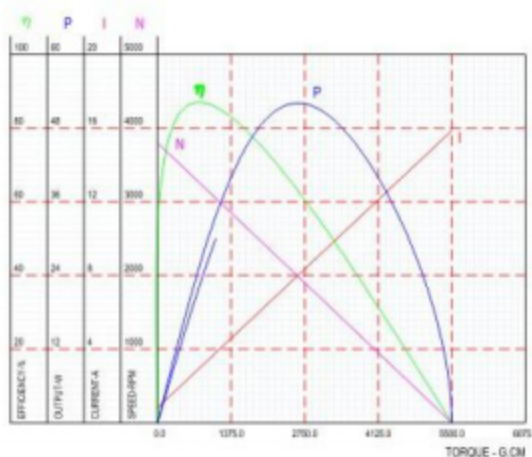


◆ Major Characteristic Parameters 主要特性参数

MODEL	VOLTAGE		NO LOAD		AT MAXIMUM EFFICIENCY				STALL	
	OPERATING RANGE	RATED	SPEED	CURRENT	SPEED	CURRENT	TORQUE	OUTPUT	TORQUE	CURRENT
			r/min	A	r/min	A	g.cm	W	g.cm	A
BL48250-V1	8V~15V	12 V	3800	0.30	3300	2.2	660	22	5532	15.7
BL48250-V2	8V~26.4V	16.8V	3800	0.28	3200	2.0	728	24	5809	13.7
BL48250-V3	8V~26.4V	24V	3800	0.17	3200	1.7	851	27	6043	10.3

◆ Performance Curves 性能曲线

BL48250-V 12 V



BL48250-V3 24 V

