

BL50250

OUTPUT: APPROX 10W~60W

OUTER ROTOR

WEIGHT : 190g (APPROX)



● Typical Application 典型应用

个人护理(Personal Care)
家用电器(Home Application)
电动工具(Industry Apparatus)
筋膜枪(Massage Gun)
医疗器械(Medical Apparatus)

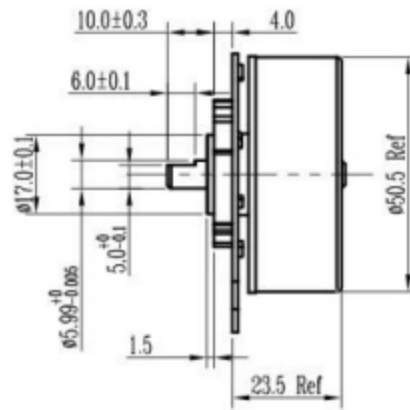
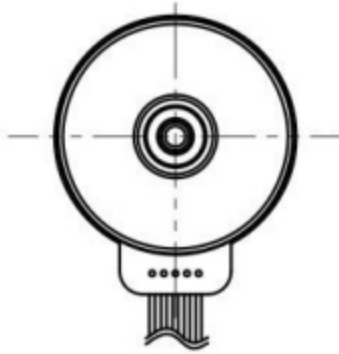
● Motor Terminations 电机端口

NO.	PIN ARRANGEMENT
1	VCC
2	FG
3	CW/CCW
4	GND
5	PWM

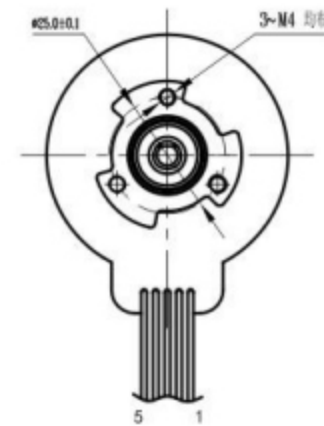
◆ External Dimensions 外形图

DIRECTION OF ROTATION

(CCW) ← (CW)



UNIT: MILLIMETERS

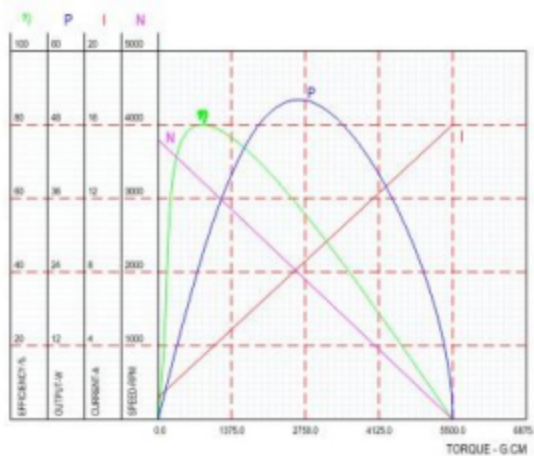


◆ Major Characteristic Parameters 主要特性参数

MODEL	VOLTAGE		NO LOAD		AT MAXIMUM EFFICIENCY				STALL	
	OPERATING RANGE	RATED	SPEED	CURRENT	SPEED	CURRENT	TORQUE	OUTPUT	TORQUE	CURRENT
			r/min	A	r/min	A	g.cm	W	g.cm	A
BL50250-V1	8V~15V	12 V	3800	0.45	3200	2.7	783	26	5435	16.0
BL50250-V2	8V~26.4V	16.8V	3800	0.32	3300	2.3	948	32	7610	16.0
BL50250-V3	8V~26.4V	24V	3800	0.22	3400	1.7	970	34	8278	12.8

◆ Performance Curves 性能曲线

BL50250-V1 12 V



BL50250-V3 24 V

