

## BL24130

OUTPUT: APPROX 5W~30W

OUTER ROTOR

WEIGHT : 35g (APPROX)



### ● Typical Application 典型应用

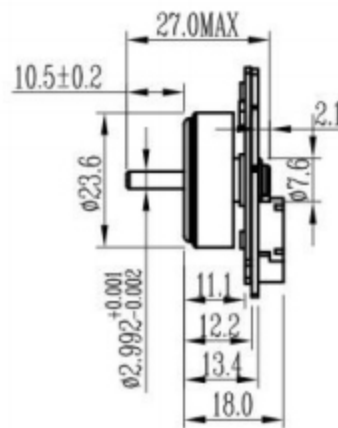
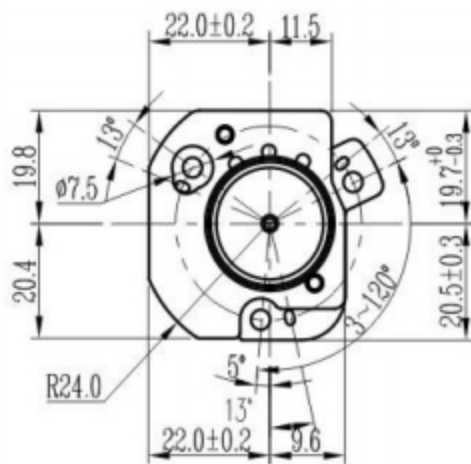
吸尘器 (Vacuum Cleaner)  
家用电器 (Home Application)  
个人护理 (Personal Care)  
商业设备 (Business Equipment)  
医疗器械 (Medical Apparatus)

### ● Motor Terminations 电机端口

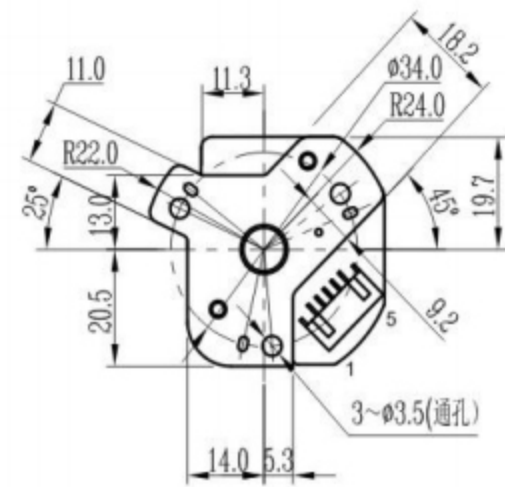
PIN	FUNCTION
01	ST/SP
02	FG
03	PWM (TYP 20KHz)
04	GND * * -
05	Vcc * * +

### ◆ External Dimensions 外形图

DIRECTION OF ROTATION



UNIT: MILLIMETERS

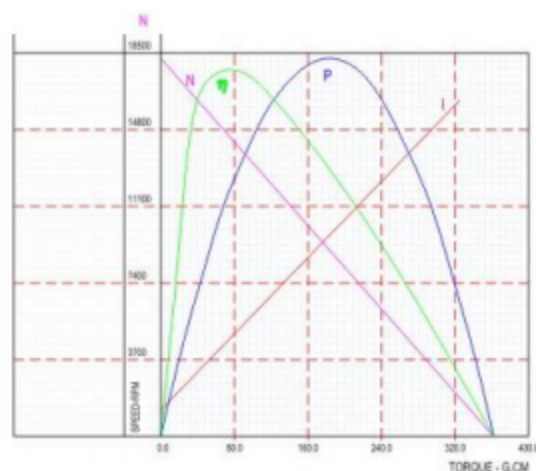


### ◆ Major Characteristic Parameters 主要特性参数

MODEL	VOLTAGE		NO LOAD		AT MAXIMUM EFFICIENCY				STALL	
	OPERATING RANGE	RATED	SPEED	CURRENT	SPEED	CURRENT	TORQUE	OUTPUT	TORQUE	CURRENT
			r/min	A	r/min	A	g.cm	W	g.cm	A
BL24130-V1	8V~16V	12 V	18220	0.23	15111	1.32	75.9	12.75	350.5	3.5
BL24130-V2	8V~26V	14.4 V	20457	0.41	15497	1.41	87.6	13.95	361.2	3.5
BL24130-V3	8V~26V	24 V	18747	0.26	14350	0.768	81.2	11.8	326.5	3.3

### ◆ Performance Curves 性能曲线

BL24130-V1 12V



BL24130-V3 24V

