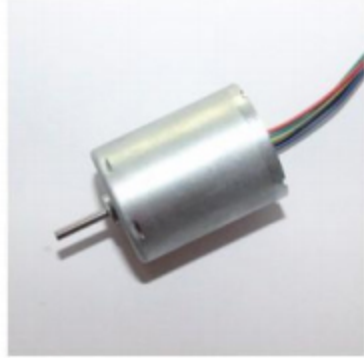


BL2430I

OUTPUT: APPROX 1W~8W

INNER ROTOR

WEIGHT : 50g (APPROX)



● Typical Application 典型应用

个人护理(Personal Care)
家用电器(Home Application)
电动工具(Power Tools)
商业设备(Business Equipment)
医疗器械(Medical Apparatus)

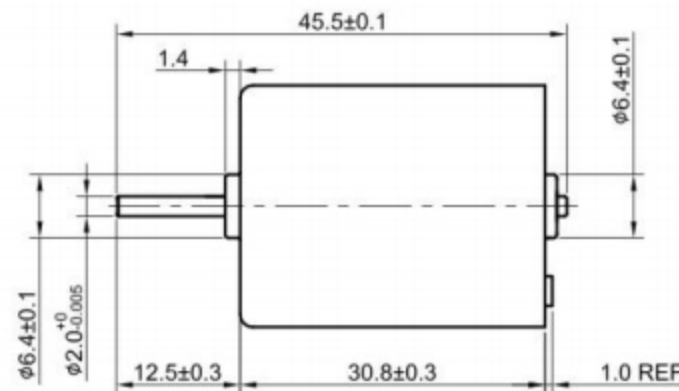
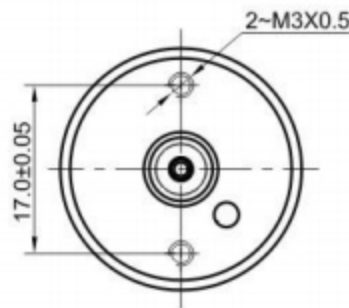
● Motor Terminations 电机端口

NO.	PIN ARRANGEMENT
1	VCC
2	FG
3	CW/CCW
4	GND
5	PWM

◆ External Dimensions 外形图

DIRECTION OF ROTATION

(CCW) ← → (CW)



UNIT: MILLIMETERS

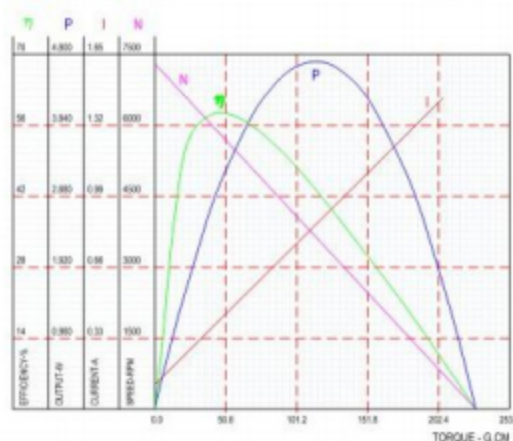


◆ Major Characteristic Parameters 主要特性参数

MODEL	VOLTAGE		NO LOAD		AT MAXIMUM EFFICIENCY				STALL	
	OPERATING RANGE	RATED	SPEED	CURRENT	SPEED	CURRENT	TORQUE	OUTPUT	TORQUE	CURRENT
			r/min	A	r/min	A	g.cm	W	g.cm	A
BL2430I-V1	5V~12V	9 V	6086	0.13	4747	0.442	48.7	2.371	221.3	1.546
BL2430I-V2	8V~16V	12 V	7380	0.12	5830	0.438	53.1	3.174	252.7	1.636
BL2430I-V3	8V~26V	24 V	9737	0.09	7692	0.369	68.1	5.37	324.1	1.322

◆ Performance Curves 性能曲线

BL2430I-V2 12 V



BL2430I-V3 24 V

